

# MANITEX VALLA 120 E



## Electric battery operated Mobile Crane Max. Capacity **Kg. 12.000**



**Valla**

OUTREACH (mm)	CAPACITY (kg)
2.190	<b>7.000</b>
4.100	<b>3.500</b>
7.500	<b>1.800</b>

### TECHNICAL DATA

**CRANE FRAME:** Six-wheelers frame fabricated from preformed and welded steel plate with built-in counterweight .

**DRIVING:** by DC 12 kw 72V reversible electric motor, controlled by inverter.

**BATTERY:** 72V 820Ah battery, battery meter on dashboard.

**BRAKES:** foot hydraulically operated brakes (disc on front, drums on rear wheels). Parking hand brake hydraulically operated.

**SUSPENSION:** oscillating rear axle with mechanical lock.

**STEERING:** power steering operated through own hydraulic circuit by a hydraulic cylinder fitted between the articulated power unit and the crane frame allowing 130° steering fitted with safety valves and filters. 1 kW – 72 V motor driven pump.

**WHEELS:** Nr. 2 rear superelastic tires 27 x 10 R12" - Nr. 4 front superelastic 7.00-12"

**BOOM:** fabricated from preformed and welded quality steel plate. Nr.4 telescoping sections: 1 fixed and 3 hydraulically telescoping. Fitted with adjustable nylon wear pads.

**BOOM CONTROL:** Distributor by proportional levers. Motor driven pump 8kW 72V.

**LMI:** Electronic Load Moment Indicator. Display showing lifted load, max allowed load, tilting percentage, operating radius, angle, telescope and light indicators on the operative mode.

**TOTAL WEIGHT:** approx. kg. 13.000

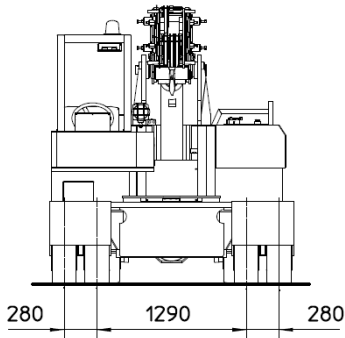
**MAX. CAPACITY:** kg. 12.000

**Options on request:** hydraulic winch; chain hoists; carry-deck; battery charger (on board and standing); manual and hydraulic jibs; cable; remote control; radio remote control; man bucket; hydraulic forks attachment

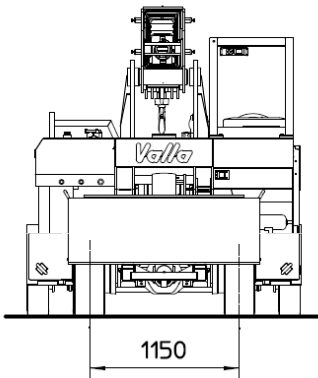


The crane applies to the following standards:  
 -2006/42/CE  
 -UNIEN13000  
 -I.S.P.E.S.L.

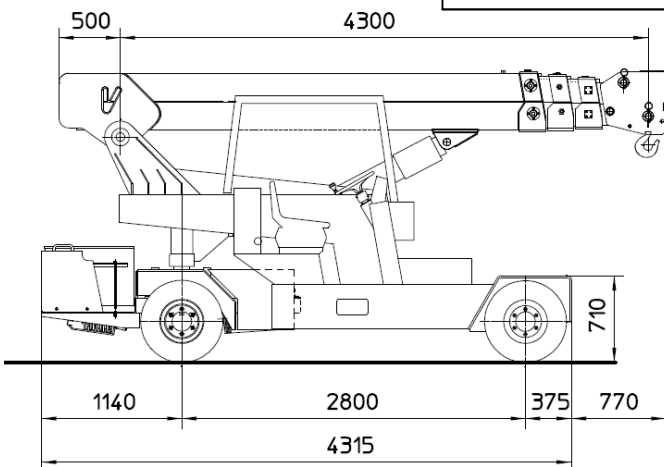
mm.



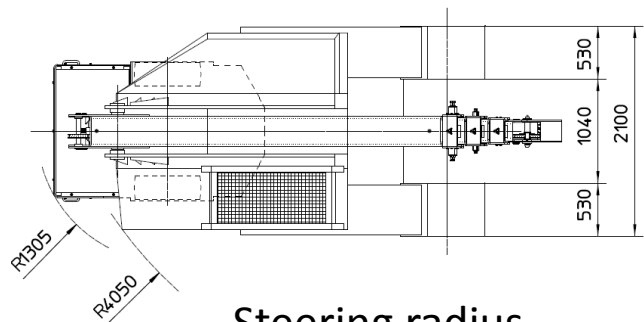
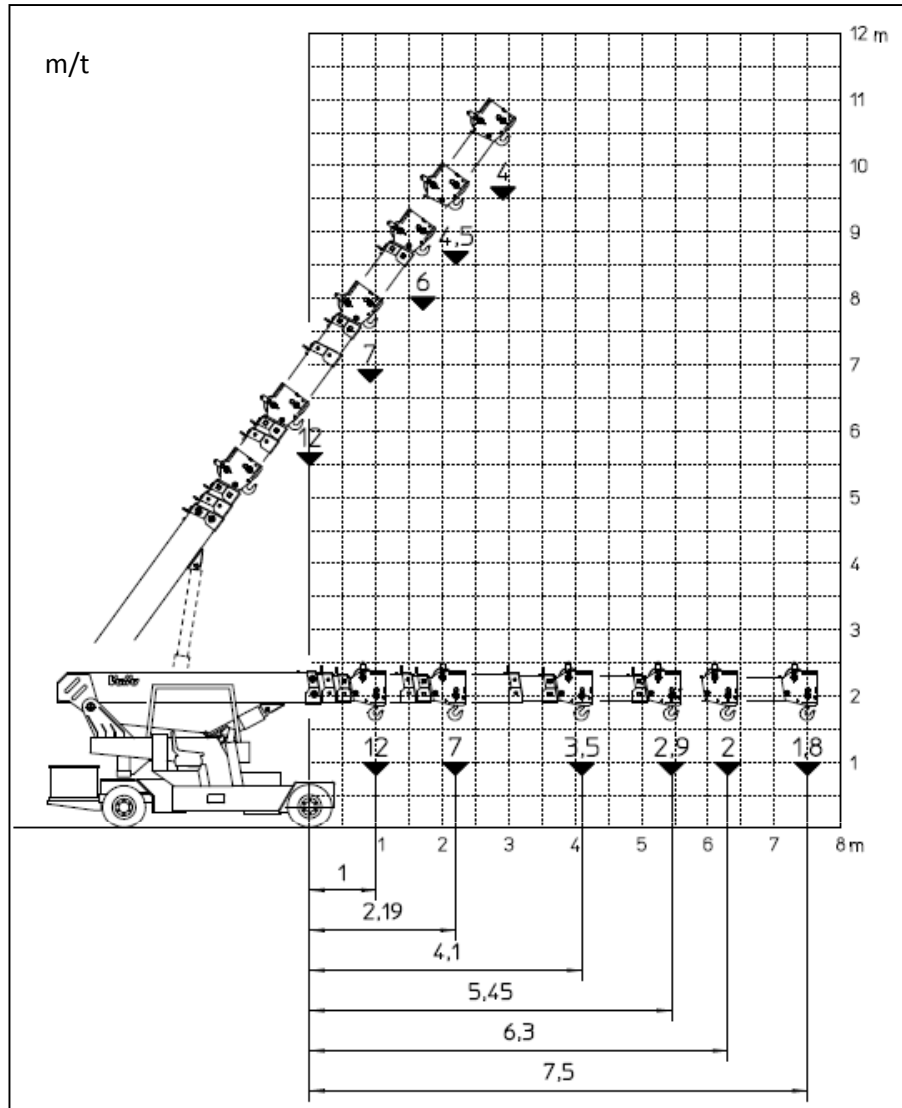
Front



Rear



Side



Steering radius

Data subject to be changed without any previous notice. Pictures may differ from technical description.