

Electric battery operated Mobile Crane Max. Capacity **Kg. 2.250**



Valla

OUTREACH (mm)	CAPACITY (kg)
1.000	1.250
1.500	800
2.500	400

TECHNICAL DATA

CRANE FRAME: Three-wheele frame fabricated from preformed and welded steel plate with built-in counterweight and, for maintenance purposes, removable counterweight .

TRACTION: by AC 3kw 48V reversible electric motor, controlled by inverter, electro magnetic control on disk brake.

BATTERY: 48V 200Ah battery, battery meter on dashboard.

DRIVE: by 180° steering helm. Steering 70W 48V electric motor electronically controlled. Complete with safety device on reverse.

WHEELS: Nr. 1 rear cushion 305x135 e Nr. 2 front 18x7-R8 superelastic.

BOOM: three hydraulically telescoping sections with sequential hydraulic telescope by double internal cylinder fitted with nylon wear pads. Adjustable wear pads on the sides.

BOOM CONTROL: by electronic proportional joystick distributor. 48 kW 48V motor pump.

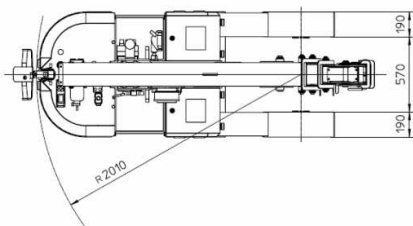
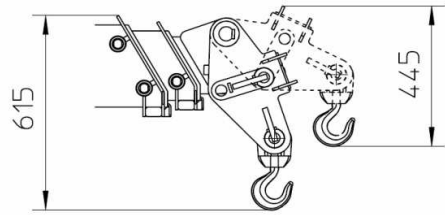
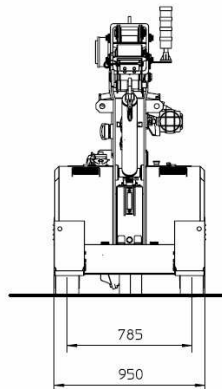
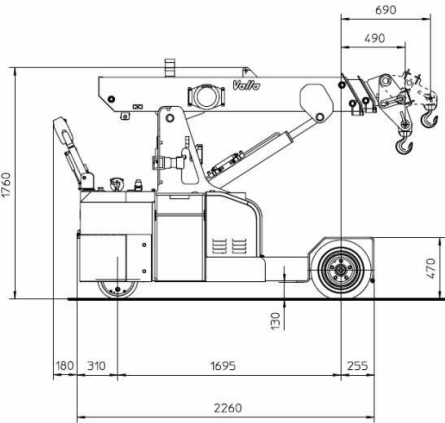
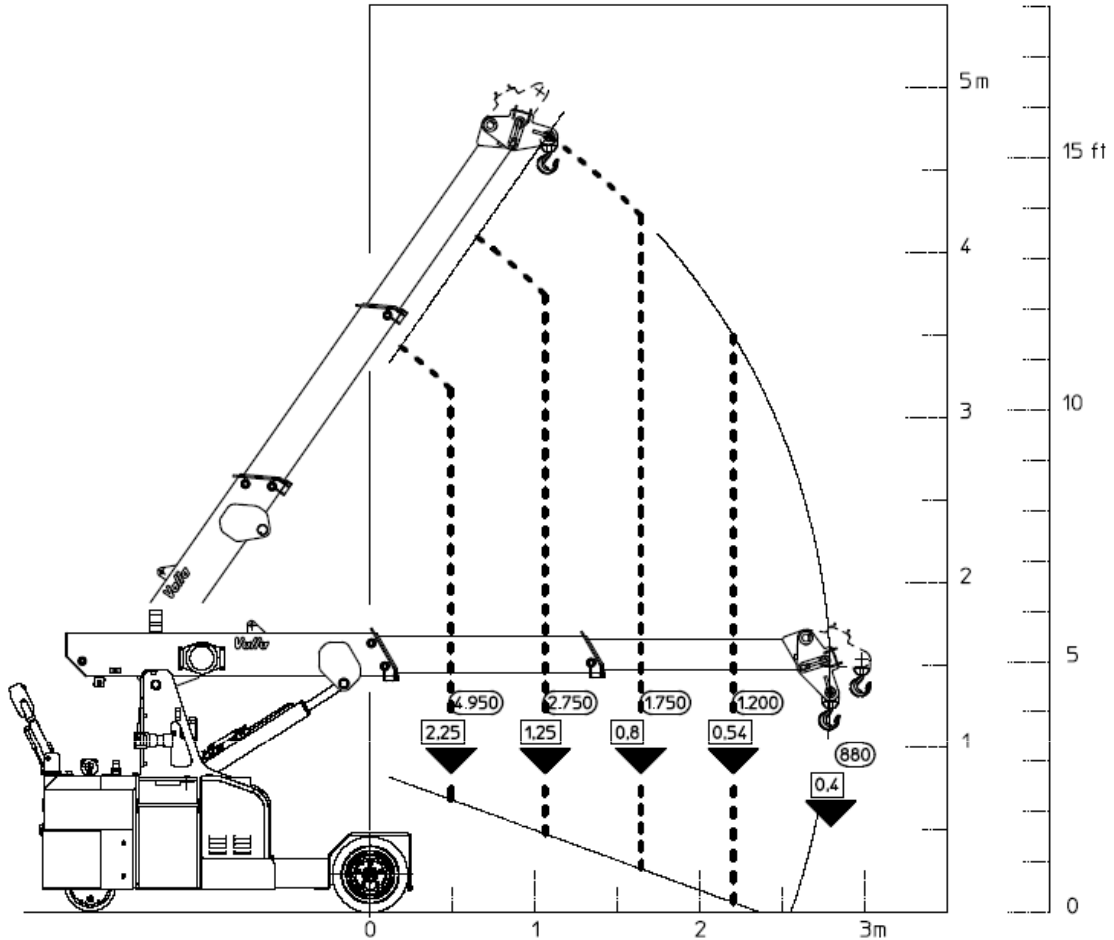
LMI: Electronic Load Moment Indicator. Display showing lifted load, max allowed load, tilting percentage, operating radius, angle, telescope and light indicators on the operative mode.

TOTAL WEIGHT: approx. kg. 1.950 nearly

MAX. CAPACITY: kg. 2.250

Options on request: hydraulic winch; special oversized hydraulic winch; chain hoists; carry-deck; battery charger (on board and stand-alone); manual and hydraulic jibs; cable remote control; radio remote control; low temperatures kit; working light; fire extinguisher.





Data subject to be changed without any previous notice. Pictures may differ from technical description.

Sede Legale:
Via Emilia Loc. Favorita - 29010 Roveleto di Cadeo (PC) - Italy
MANITEX INTERNATIONAL Inc. Group

