

Diesel operated Arm Lift Mobile Crane Max. Capacity **kg. 9.000**



TECHNICAL DATA

Valla	
OUT REACH (mm)	CAPACITY (kg)
2.000	5.900
3.000	3.500
5.000	2.000



CRANE FRAME: Six-wheele frame fabricated from preformed and welded steel plate with built-in counterweight.

ENGINE: Diesel 37 Kw , 4 cylinders, water cooled with electric starter and automatic fuel switch off.

TRANSMISSION: Automatic (hydrostatic) “automotive”. Differential axle. Max speed 13 Km/h.

BRAKES: foot hydraulically operated brakes (disc on front, drums on rear wheels). Parking hand brake mechanically operated.

SUSPENSION: oscillating rear axle with mechanical lock.

STEERING: power steering with hydraulic cylinder and 140° articulation. Safety valves and filter.

WHEELS: Nr. 2 rear pneumatic 23 x 9 R10” - Nr. 4 front superelastic 23 x 10-12”

BOOM: boom fabricated from preformed and welded quality steel plate. Nr.4 telescoping sections: 1 fixed; 3 hydraulically telescoping. Fitted with nylon wear pads adjustable wear pads on the sides.

BOOM CONTROL: Distributor by proportional levers. Motor driven pump 5kW 48V.

LMI: Electronic Load Moment Indicator. Display showing lifted load, max allowed load, tilting percentage, operating radius, angle, telescope and light indicators on the operative mode.

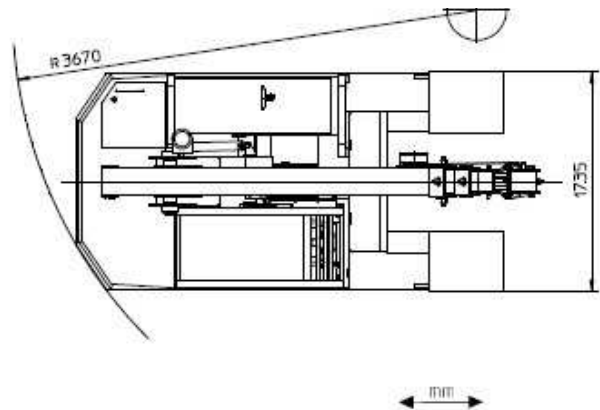
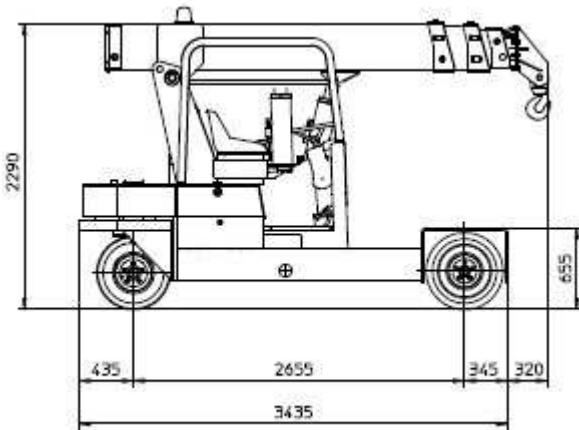
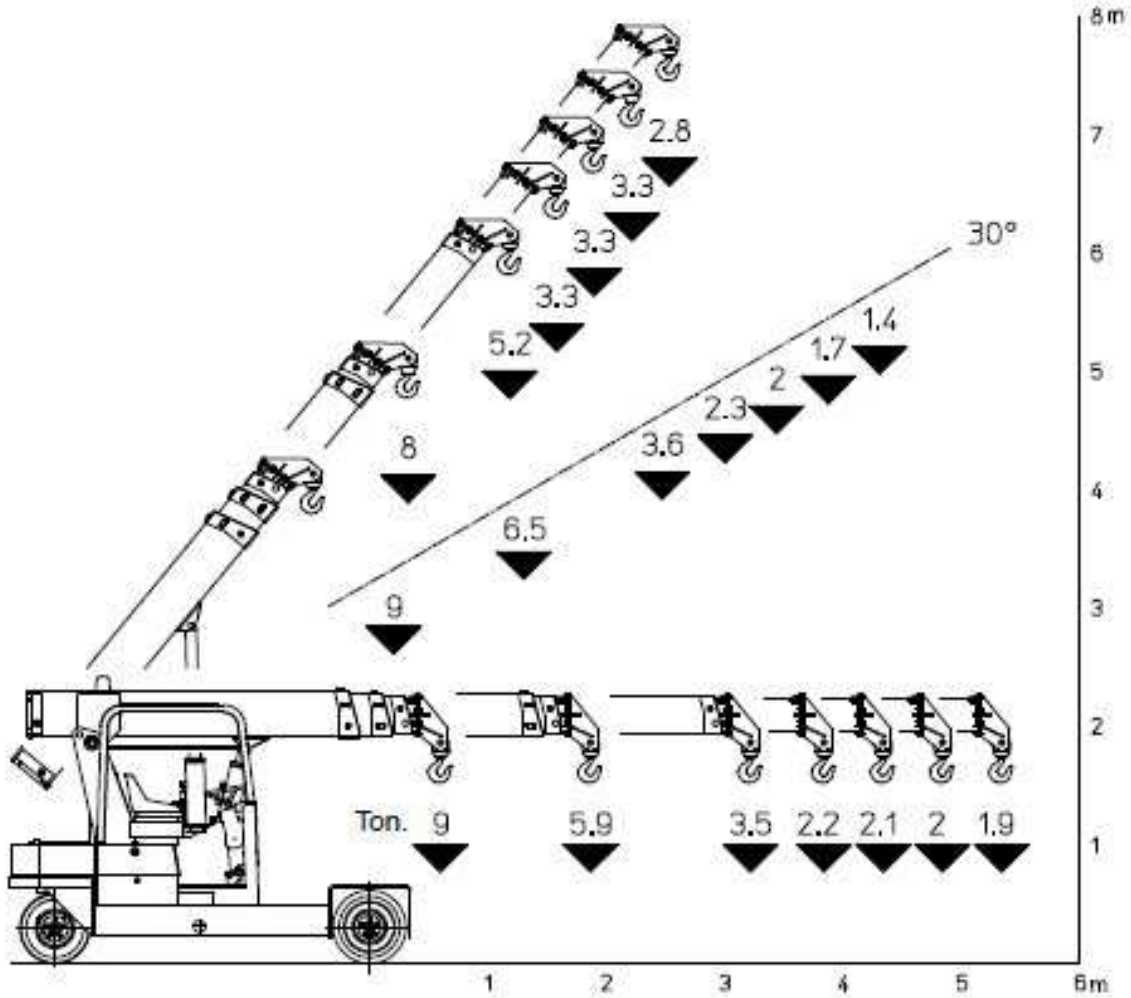
TOTAL WEIGHT: approx. kg. 6.100 **MAX. CAPACITY:** kg. 9.000

Options on request: hydraulic winch; chain hoists; carry-deck; manual and hydraulic jibs; cable remote control; radio remote control; working light; fire extinguisher.

MANITEX VALLA 90 D



Crane complies with the following standard:
 -2006/42/CE
 -UNIEN13000
 -I.S.P.E.S.L.



Data subject to be changed without any previous notice. Pictures may differ from technical description.



Valla – division of CVS Ferrari Srl
 Via Piacenza, 45 – 29010 Calendasco – Piacenza – ITALIA
 Tel. 0039 0523 762025 – 762004 – Fax 0039 0523 760531
 Internet: www.valla.com – email: info@valla.com