

Glassworker GW 625-2

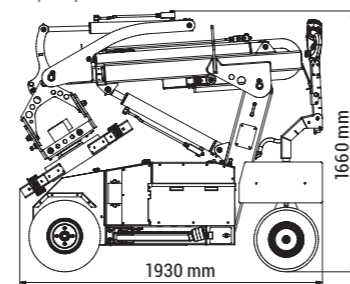


TECHNICAL DATA

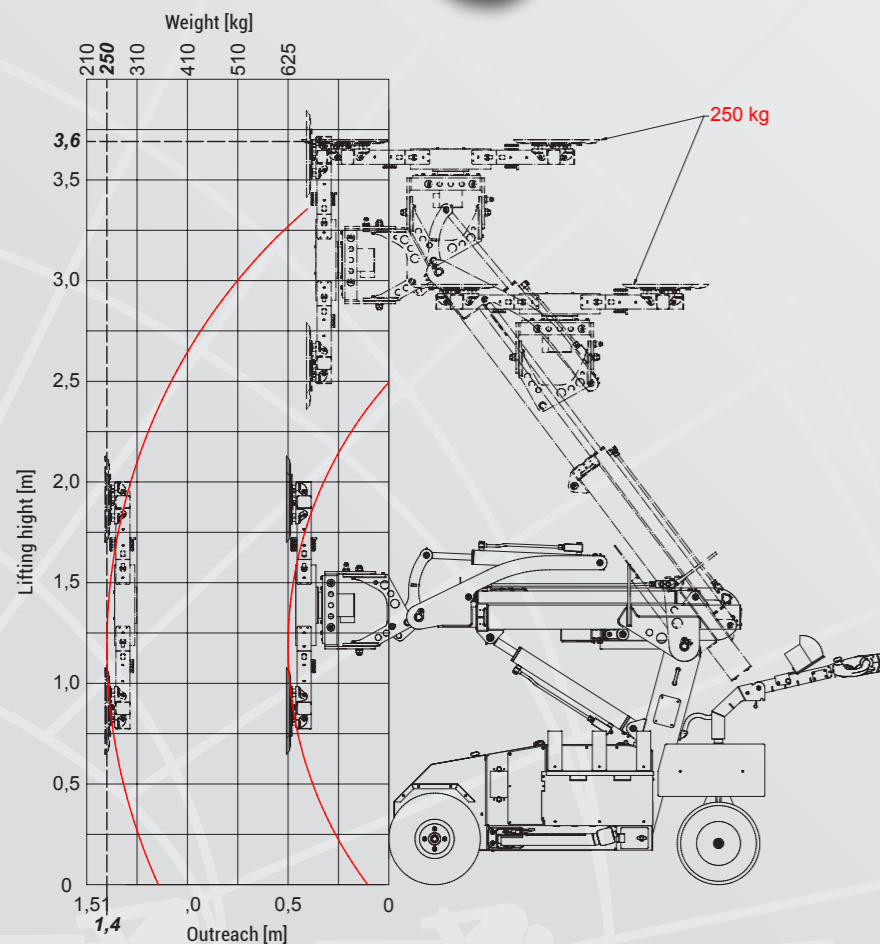
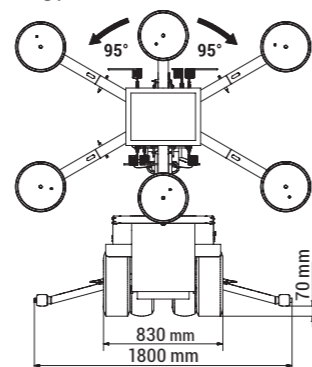
Lifting capacity	625 kg
Total weight	1050 kg
Total height	1660 mm
Total width	830 mm
Total length	1930 mm
Tilting of the suction disc	forward 95° backwards 69°
Side offset	50 mm in both directions
Chargin Voltage	230 Volt
Batteries	2 x 12 V (24V)
Front wheel drive	2000 Watt
Vacuum Cups	6 x ø 350 mm
Vacuum System	2-circuit-system
Turning circle at steering angle of 80°	3,8 m
Rotation of the vacuum cross	95° in both directions

DIMENSION

Transport position



Operating position



*Almost any one can think up an idea. The thing that counts is developing it into a practical **PRODUCT.***

– Henry Ford