

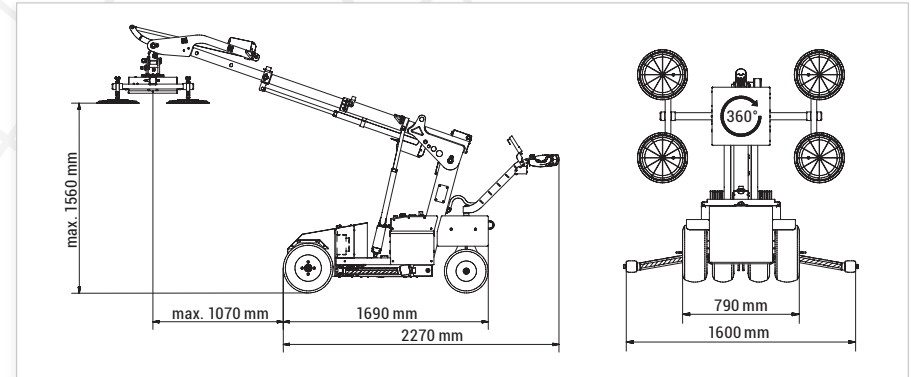
# Glassworker GW 425

The strongest and safest in its class

## GW 425

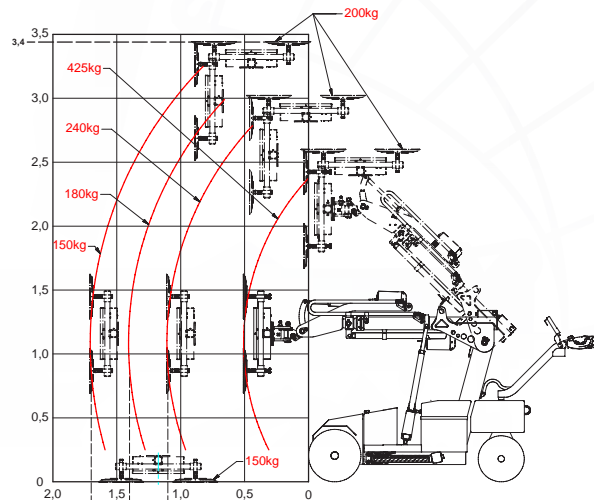
Order No.: 105985

- » Lifting capacity max. 425 kg
- » Lifting height verical until 3,00 m
- » Lifting height overhead until 3,40 m
- » Lifting capacity fully extended 150 kg
- » Operating time min. 14 hours
- » Optional wireless remote control for lifting arm and suction disc movements
- » Individual arrangement of the suction cups
- » Self monitoring system
- » 24 V automotive socket

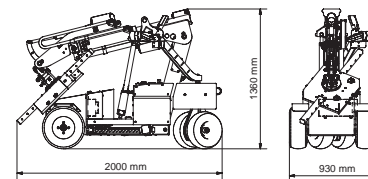


[You can find many helpful videos on our YouTube channel.](#)

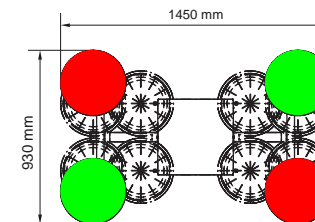
TECHNICAL DATA	
Lifting capacity	425 kg
Weight	680 kg
Total height	1360 mm
Total width	790 mm
Total length	2000 mm
Lifting capacity fully extended	150 kg
Lifting height verical	until 3,0 m
Lifting height overhead	until 3,4 m
Tilting of the suction disc	109° forward / 84° backwards
Side offset	50 mm in both directions
Chargin Voltage	230 Volt
Batteries	24 V / 2x 90 Ah
Front wheel drive	1200 Watt
Vacuum cups	4x Ø 350 mm
Vacuum system	2-circuit-system
Options	load hook, LED- working headlight, oddments tray set (right and left), remote control, arm-extension for suction system, twin tires for suction system, twin tires, non marking tires for wear-prevention



### Transport position



### Suction attachment configuration



Special solutions possible



Load hook (opt.)



Wireless remote control (opt.)