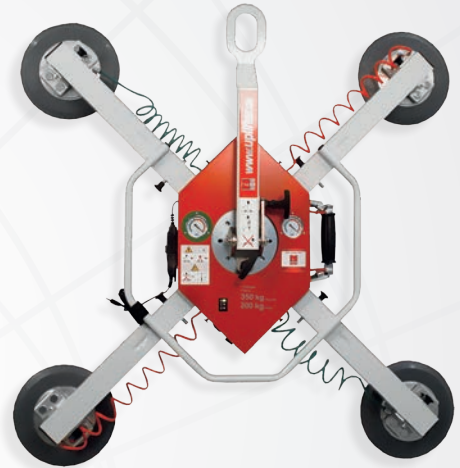


Uplifter Suction discs



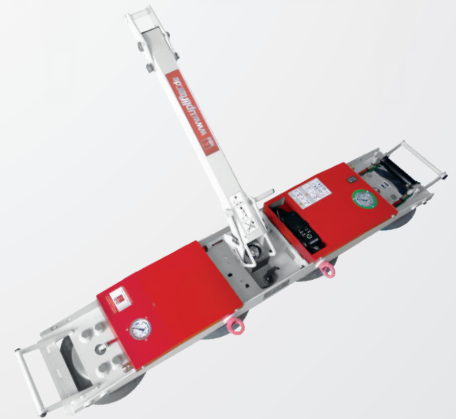
UPG 1000



UPG 350-2



UPG 600-2

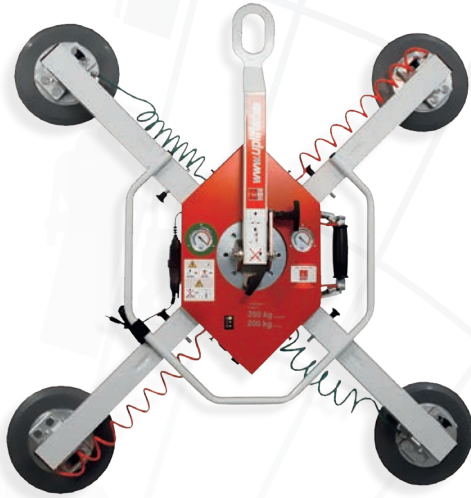


UPG 450

Vacuum lifting

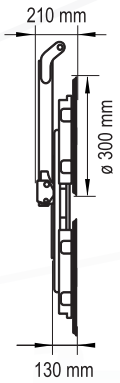
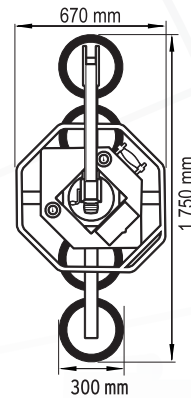
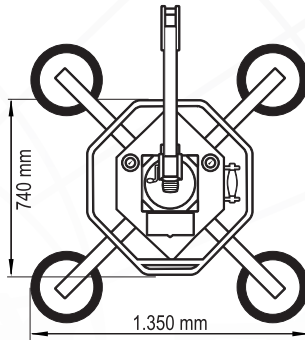
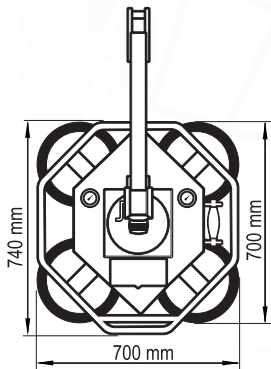


Suction disc UPG 350-2

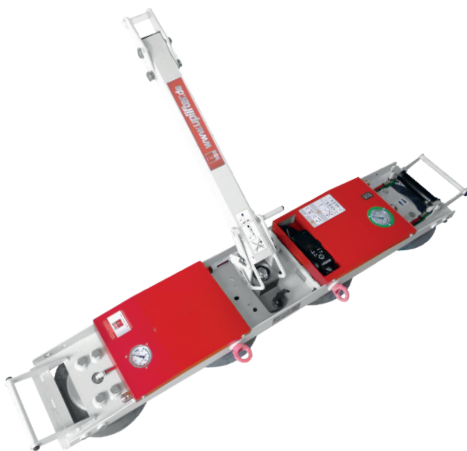


TECHNICAL DATA

Vacuum system	2-circuit-system	
Lifting capacity	350 kg horizontal, 300 kg vertical	
Vacuum plates	4 pcs., Ø 300 mm	
Device weight	35 kg without extensions	
Height of device	without load-arm min. 130 mm with load-arm 210 mm	
Operating temp.	0° to 40° C	
Operating time	8 hours	
Accessory	incl. wooden transportbox	
Optional	UPT 200 transport unit	

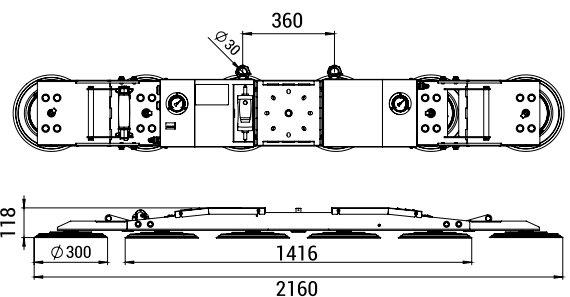
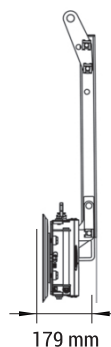
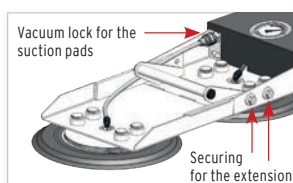


Suction disc UPG 450

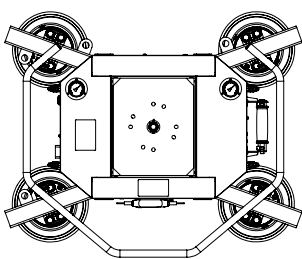
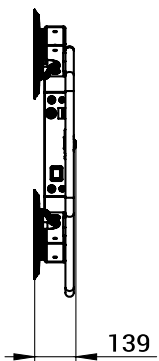
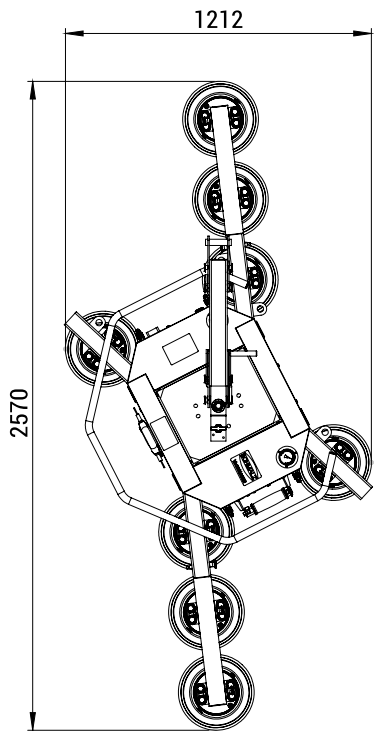
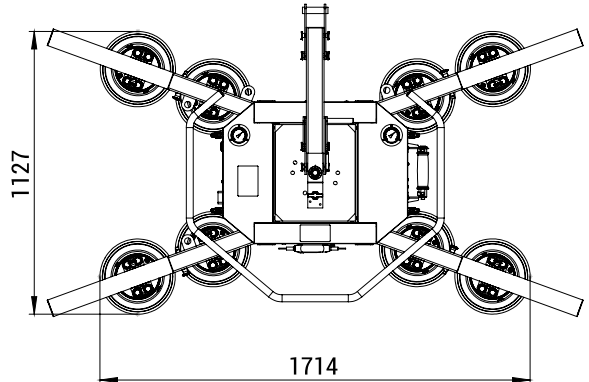
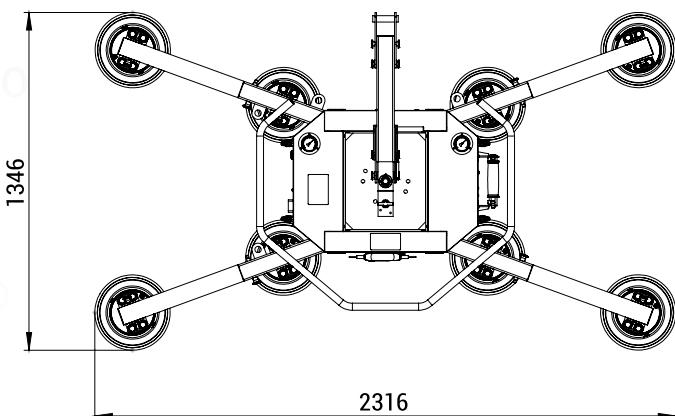
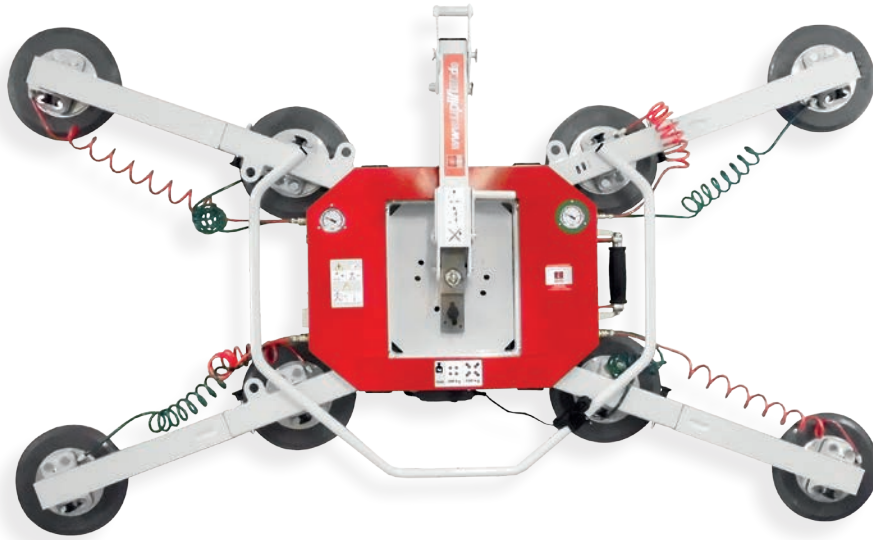


TECHNICAL DATA

Vacuum system	2-circuit-system	
Vacuum plates	4 pcs.	6 pcs.
Lifting capacity	300 kg	450 kg
Device weight	49 kg	60 kg
Height of device	without load-arm min. 118 mm with load-arm 179 mm	
Operating temp.	0° to 40° C	
Operating time	8 hours	
Accessory	incl. wooden transportbox	
Optional	Mount-Extensions, UPT 200 transport unit	

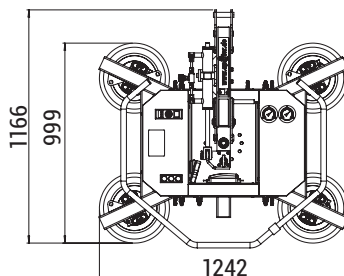
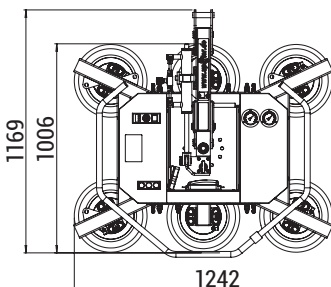
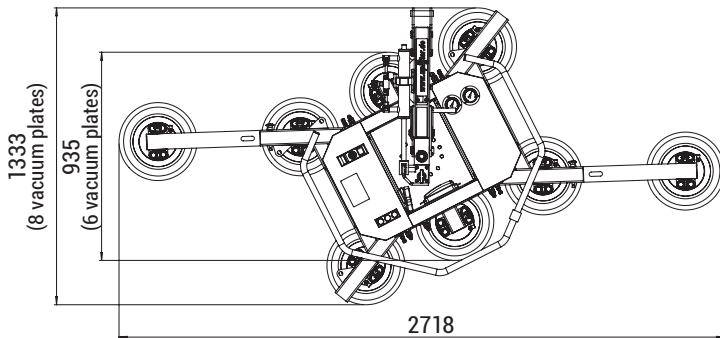
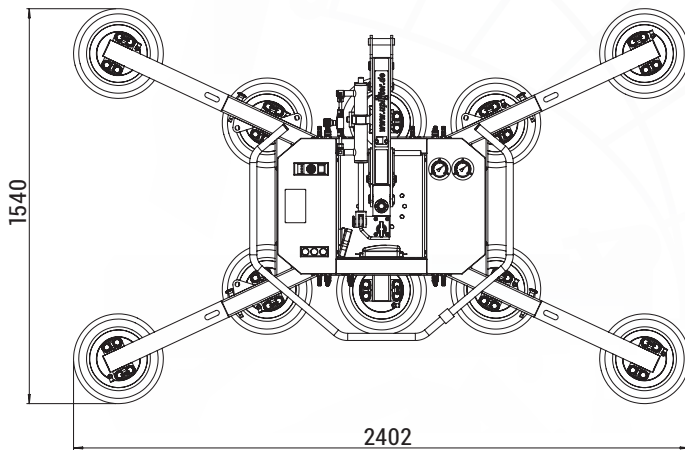


Suction disc UPG 600-2



TECHNICAL DATA			
Vacuum system	2-circuit-system		
Vacuum plates	4 pcs.	6 pcs.	8 pcs.
Lifting capacity	300 kg	450 kg	600 kg
Device weight	70 kg	80 kg	89 kg
Height of device	without load-arm min. 139 mm with load-arm 205 mm		
Operating temp.	0° to 40°C		
Operating time	8 hours		
Accessory	incl. wooden transportbox		
Optional	Mount-Extensions, UPT 200 transport unit		

Suction disc UPG 1000



wireless remote control
optionally available

TECHNICAL DATA

Vacuum system	2-circuit-system			
Vacuum plates ø 400 mm	4 pcs.	6 pcs.	8 pcs.	10 pcs.
Lifting Capacity	400 kg	600 kg	800 kg	1000 kg
Device weight	100 kg	106 kg	116 kg	126 kg
Motor	Off-grid Motor with 12 volt rechargeable battery			
Tiltable	Manually without raster			
Rotatable	Manual turning 360° with raster 90°			
Operating Time	8 hours			
Operating Temperature	0° to 40° C			
Protective devices	Optic/acoustic warning devices (low Vacuum warning buzzer)			
Attachment	4 Extension arms			
Optional	wireless remote control, Mount Extensions			

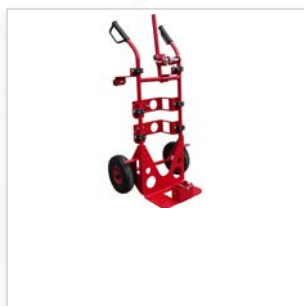
Features

- » Manual tilting by 90°
- » Manual turning by 360°
- » Silicon-free vacuum plates
- » Off-grid Motor with 12 V rechargeable battery
- » Individual Arrangement of the spring mounted vacuum plates
- » Integrated vacuum-reserve tank
- » Vacuum plates adjustable without tools
- » DIN 13155
- » Optic/acoustic warning devices (low vacuum warning buzzer)
- » Operating temperature 0° to 40°C

Accessories



» Foam-rubber vacuum cups



» UPT 200



» Mount-Extensions



» Wooden transportbox

Additional accessories and special suction cups are available on request.

Your personal contact:



Modifications and errors reserved. All pictures similar. Updata 06.06.2019

UPLIFTER GmbH & Co. KG

Oberaich 5, 92543 Guteneck, Germany | ☎ +49 9433 20499-0 | fax +49 9433 20499-29 | info@uplifter.com

www.uplifter.com