

# Suction Disc UPG 450

Special made for longer Glass-Sheets

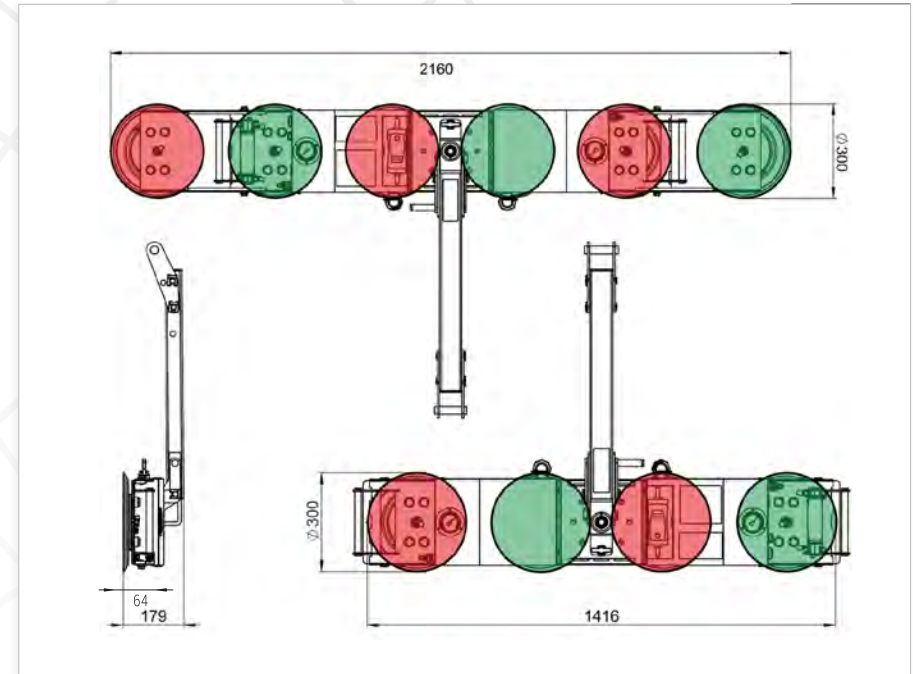
## UPG 450

Order No.: 104182

- » Lift capacity up to 450 kg
- » Flexible, modular construction
- » Removable load arm
- » Extensions for additional suction plates
- » Suspension eyelets for vertical attachment without load arm
- » Acoustic warning device (low vacuum)
- » Ergonomic handshake valve
- » Integrated „complete off switch“



The UPG 450 is ideal for long and narrow glass due to its design. Thanks to its modular design, it can easily be extended with two additional suction plates to increase on-site performance.



TECHNICAL DATA	
<b>Vacuum system</b>	2-circuit-system
<b>Vacuum plates</b>	4 pcs.   6 pcs
<b>Lifting capacity</b>	300 kg   450 kg
<b>Device weight</b>	49 kg   60 kg
<b>Height of device</b>	without load-arm min. 118 mm, with load-arm 179 mm
<b>Operating temp. range</b>	0° C to 40° C
<b>Operating time</b>	8 hours
<b>Accessory</b>	incl. wooden transportbox
<b>Optional</b>	Mount extensions; extension incl. suction plate, length 50 cm. Total length UPG 450 incl. extensions: 2416 mm

