

**Seated Operator  
and only four feet wide**

- Capacity ... 1,815 kg\*
- Pick and Carry Capacity ... up to 1,540 kg
- Height ... 2.19 m with Operator Guard
- Height ... 1.75 m w/o Operator Guard
- Width ... 1.22 m
- Boom Rotation ... Fixed
- Sheave Height ... up to 8.4 m
- Horizontal Reach ... up to 5.2 m\*
- Tight Turning Radius
- Rear Wheel Steer ... Standard
- Front Wheel Drive ... Standard
- Fully Hydraulic Controls for Smooth Precise Operations
- Water Cooled Engine
- Dual Fuel or Diesel Available

\*Front of Bumper

**BRODERSON**  
Manufacturing Corp.



# IC-25-A

CAPACITIES APPLY TO OPERATION ON FIRM LEVEL SURFACE			
3-SECTION MAIN BOOM			2.13M BOOM EXT
LOAD CG DISTANCE FROM FRONT BUMPER (METERS)	STATIC LIFT CAPACITY (KGS)	PICK & CARRY CAPACITY (KGS)	STATIC LIFT CAPACITY (KGS)
.6	1815	1540	450
1.0	1320	1205	450
1.5	965	875	450
2.0	765	695	450
2.5	620	550	450
3.0	510	460	450
3.5			420
4.0			385
4.5			345
5.0			300
5.2			270

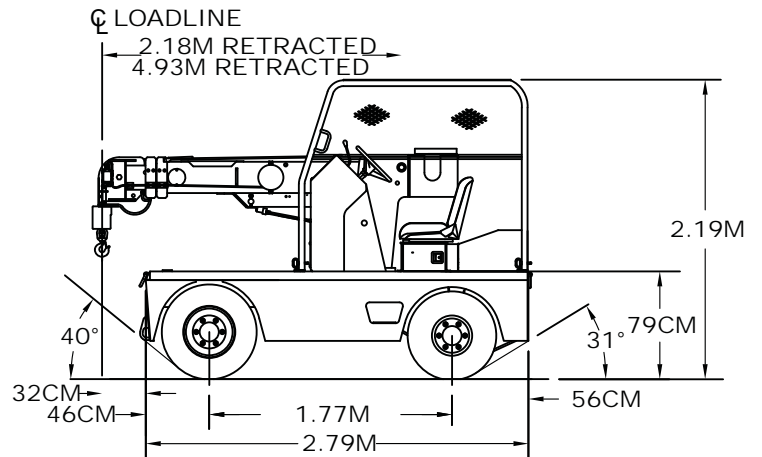
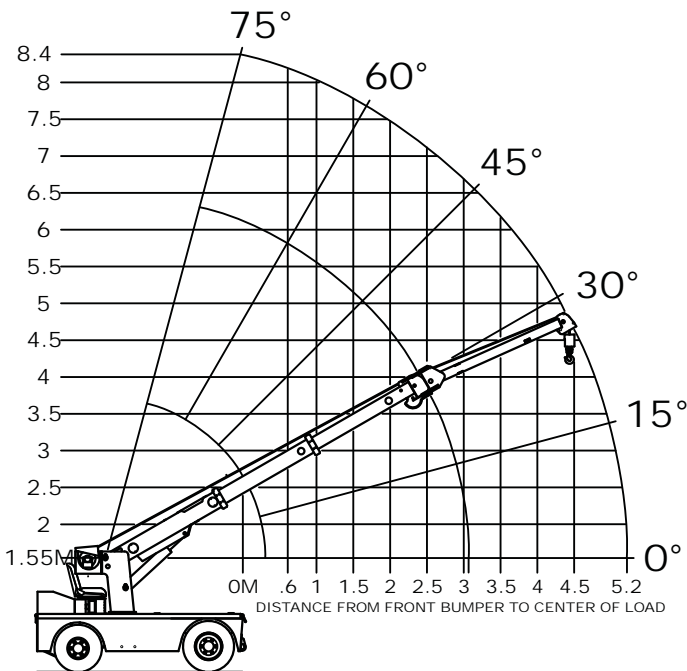
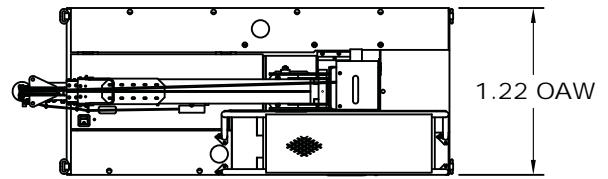
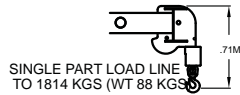
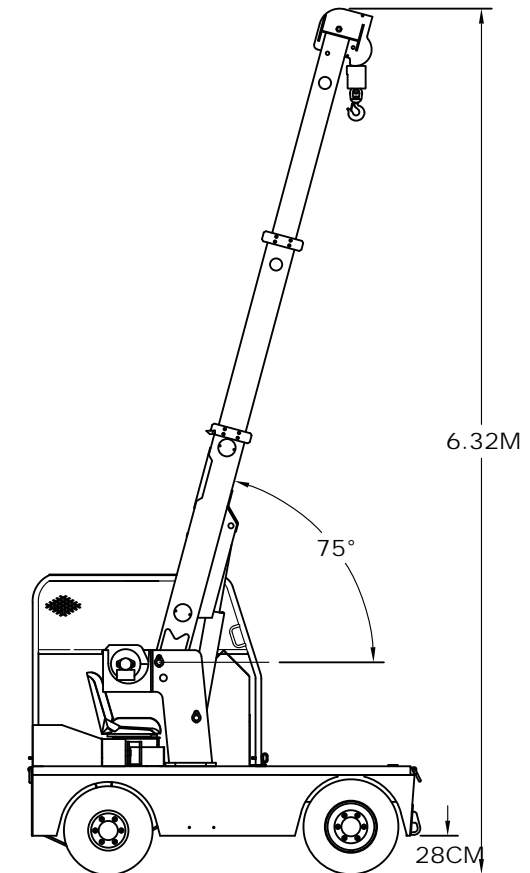
LOAD DISTANCE IS THE HORIZONTAL DISTANCE FROM THE FRONT BUMPER TO THE VERTICAL LOAD LINE WITH THE LOAD APPLIED.

LOAD HOOK, DOWNHAUL WEIGHT, SHEAVE BLOCKS AND OTHER LOAD HANDLING DEVICES SHALL BE CONSIDERED PART OF LOAD.

DECK CAPACITY 2270 KGS IF CENTERED ON FRONT DECK AND NO LOAD ON HOOK. MAXIMUM CARRY SPEED IS 3.2 KPH.

BOOM EXTENSION DEDUCT: 45 KGS WHEN STOWED ON BASE BOOM.

DO NOT PICK AND CARRY WITH BOOM EXTENSION INSTALLED.



# IC-25-A

## Specifications

### GENERAL:

<b>Weight</b>	2,650 kg
<b>Travel Speed</b>	0 to 6.4 km/h
<b>Drawbar Pull</b>	1,542 kg
<b>Boom Movement:</b>	
<b>Elevation</b>	0° to 75°
<b>Extension</b>	2.74 m
<b>Boom Speeds:</b>	
Elevation	12 seconds
Extension	30 seconds

<b>ENGINE:</b>	<b>Standard</b>	<b>Optional</b>
Make	Kubota	Kubota
Model	DF972	D1105
Type	Dual Fuel	Diesel
No. Cyl.	3	3
Displacement	972 cc	1,105 cc
HP @ Gov. Speed	21 kW	19 kW
Fuel Tank Capacity	51 liters	
	15 kg LPG Tank	

### HYDROSTATIC PUMP:

Piston type, 2.8 CID/Rev (46 cc) direct driveline driven from engine crankshaft.

### AXLES:

#### Front Axle:

Planetary drive axle with overall ratio of 24:1. The differential is limited slip. Axle oscillates a total of .75 in (1.9 cm).

#### Rear Axle:

Fixed rigidly to frame. Non-oscillating.

### STEERING:

Full hydraulic unit with one double-acting cylinder attached to rear axle.

### BRAKES:

Primary braking from hydrostatic transmission. Foot-actuated disc brakes in axle for additional braking. Cable-applied park brake. All breaking is on front wheels.

### TIRES:

Front - 28 x 9-15 pneumatic, 14-ply

Rear - 7.5 x 10 pneumatic, 16-ply

### CHASSIS:

#### Cargo Deck:

2.1 m<sup>2</sup> sq. ft. of deck area. 2,268 kg capacity.

#### Front Pulling Eye:

For attachment of hook block so main winch line can be used for pulling loads at or near floor level.

#### Operator Guard

Tubular steel weldment with heavy expanded steel mesh top and curb side section, covers operator's compartment.

Overhead height with guard installed is 2.19 m.

#### Lifting Eyes

Four lift rings, one at each corner of deck, for attaching lifting sling.

### OPERATOR COMPARTMENT:

Provides one-position access to all chassis & crane functions. Includes fire extinguisher & bubble level.

### ELECTRICAL:

#### 12 Volt System

#### Lighting Group:

Two headlights and two taillights.

#### Instrument Package:

Lighted fuel, volt meter, oil pressure, and water temperature gauges, hydraulic oil temperature gauge and hourmeter.

#### Back-Up Alarm:

Provides pulsating sound from 97dB alarm when transmission is in reverse.

### HYDRAULIC SYSTEM:

Tandem pump mounted to rear of hydrostatic piston pump.

Delivers 22.7 liter per minute and 37.5 liter per minute at rated engine RPM. Hydraulic oil tank capacity 34 liters.

### BOOM ASSEMBLY:

Three-section boom assembly equipped with bearing pads, double-acting hydraulic cylinders equipped with direct-connected holding valves. Boom angle indicator on left side of boom.

### Boom Hoist:

Turret-mounted, hydraulically powered hoist provides bare drum line pull of 2,404 kg at a line speed of 20 m/min. Includes downhaul weight, swivel hook and 26 m of 9.5 mm wire rope.

### Anti-Two-Block Device:

Prevents damage to hoist rope and/or crane components from pulling load hook against tip.

# IC-25-A

## Options

Listed below are brief descriptions of options available for this product.  
Consult the IC-25-2A Engineering Spec for additional information.

#### MODEL:

**IC-25-2A** Industrial Crane with Dual Fuel Engine (Gas/LPG)

#### ENGINE OPTIONS:

##### **Kubota 1.1 L Diesel Engine**

Kubota Model D1105, 3-cylinder, 1,105 cc water cooled diesel engine.

##### **Spark Arrester Muffler**

Installed in addition to std. muffler.

##### **Engine Shut Down Gauges**

Shuts engine off when high coolant temperature or low engine oil pressure occurs.

#### TIRE OPTIONS:

##### **Foam Filling of Tires**

##### **Spare Tire & Wheel:**

28 x 9-15 pneu. tires, 14-ply, front  
7.50 x 10 pneu. tires, 16-ply, rear

#### CHASSIS OPTIONS:

##### **Pintle Hook - Rear**

Pintle hook mounted on rear of frame. 4.5 tonne capacity.

##### **Lifting Sling**

Four-leg hitch consisting of heavy-duty pear link and four wire ropes with swaged-on clevis ends.

##### **Headlight & Taillight Grilles**

Welded steel protective grilles for headlights and taillights.

#### ELECTRICAL OPTIONS:

##### **Strobe Light**

One yellow strobe light mounted on back of turret for high visibility.

##### **Boom Work Light**

One work light mounted to boom to light boom tip and load.

#### BOOM ATTACHMENT OPTIONS:

##### **Boom Extension, Offsettable**

2.13 m, boom stowable

##### **Rated Capacity Limiter:**

Warns operator of impending overload with audible and visual signals. Prevents overload by stopping boom functions that cause overloads. Readouts for load, boom angle, and load radius

Should you require an option or special equipment not listed please consult your dealer salesperson or BMC®.



5-7 Lorraine Street,  
Peakhurst, NSW, 2210, AUS

Tel +61 2 9533 5411  
Fax +61 2 9533 5585  
www.pacecranes.com.au

Dimensions and values shown are  
for reference purposes only.  
Specifications subject to change.

